

PINECAR® RACE PACKAGE



P459

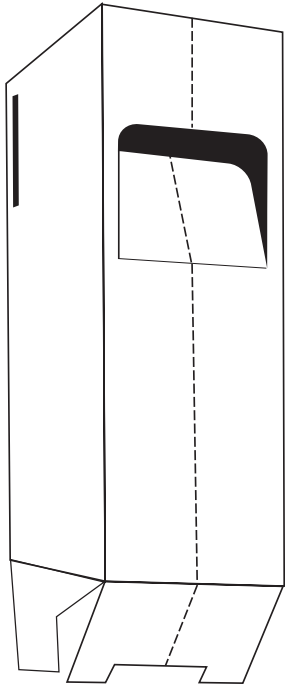
FIND APPROPRIATE LOCATION BEFORE BEGINNING ASSEMBLY. TRACK IS APPROXIMATELY 32 FT LONG WHEN COMPLETED. READ COMPLETE INSTRUCTIONS BEFORE STARTING. ASSEMBLY OF THIS TRACK REQUIRES TWO PEOPLE FOR STEPS 7 - 8.

Components of PineCar Speedway®

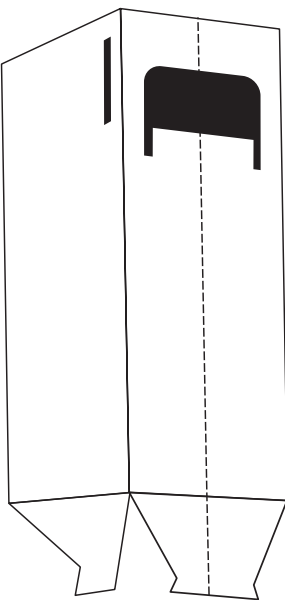
- 1 - Tower
- 1 - 5 ft. Track Section -
(Velcro on one end)
- 5 - 5 ft. Track Sections
(Velcro on both ends)

- 1 - 2 ft. Braking Section
- 1 - Starting Gate
- 6 - Velcro Connectors
- 1 - Tall Track Support 1S
- 1 - Med. Track Support 2S

- 1 - Short Track Support 3S
- 7 - Small Track Supports



Tower (Front View)



Tower (Back view)



5 ft. Track Section (Velcro on one end)



5 ft. Track Section (Velcro on both ends)



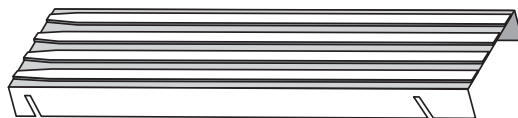
5 ft. Track Section (Velcro on both ends)



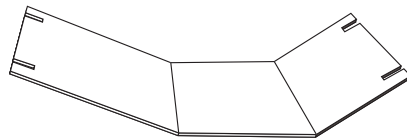
5 ft. Track Section (Velcro on both ends)



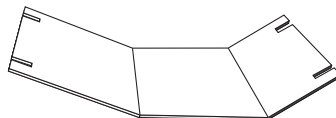
5 ft. Track Section (Velcro on both ends)



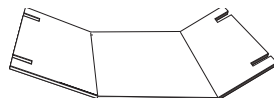
5 ft. Track Section (Velcro on both ends)



Tall Track Support 1S



Medium Track Support 2S



Short Track Support 3S



Velcro Connector



Velcro Connector



Velcro Connector



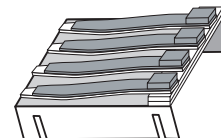
Velcro Connector



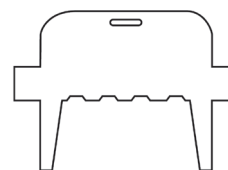
Velcro Connector



Velcro Connector



2 ft. Braking Section



Starting Gate



Small Track Support



Small Track Support



Small Track Support



Small Track Support



Small Track Support



Small Track Support

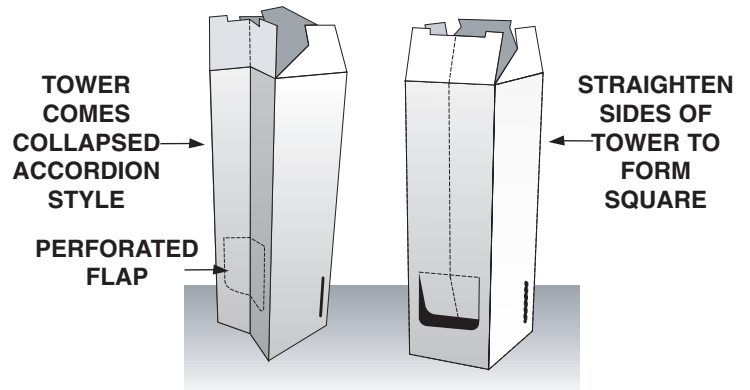


Small Track Support

We have enclosed two box handles to attach to your reusable storage box.

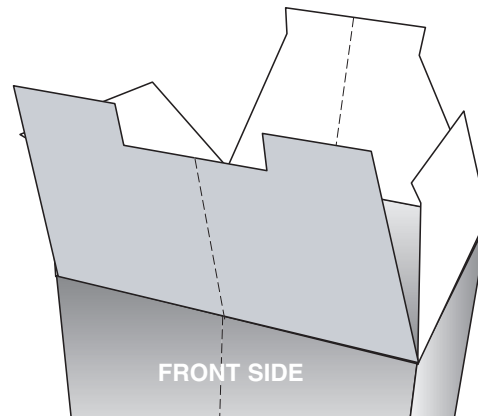
Step 1

Unfold Tower.
Stand upside down with flaps on top.
Push in perforated flap on the front side of the Tower.



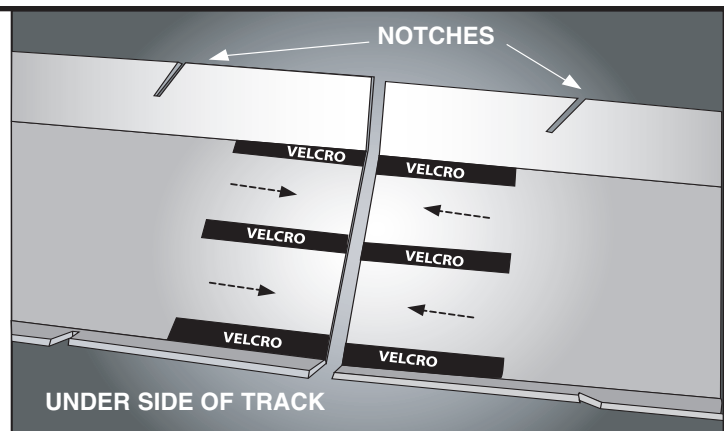
Step 2

Facing the front side of the Tower, fold flaps in, starting with front flap and finishing with back flap. Flip Tower right side up.



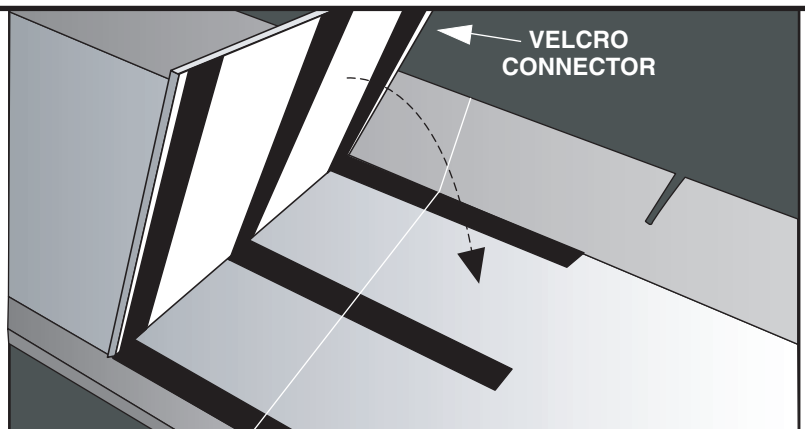
Step 3

The tapered ends of each 5 ft. Track Sections go toward the Tower (Diagram B, page 4). Lay out all 5 ft. Track Sections and Braking Section face down and end to end (Diagram A, page 4). Place the end without Velcro strips closest to the Tower. The Braking Section is placed at the end of the Track. All notches on the sides of each Track Section need to angle away from the Tower.



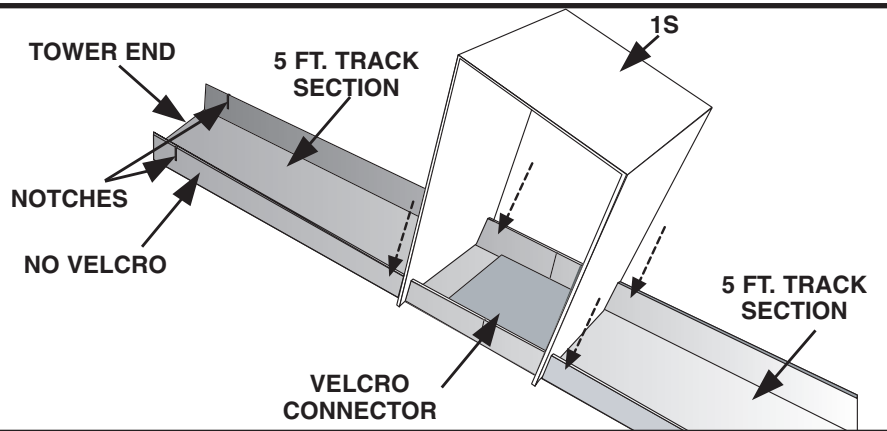
Step 4

Line up the edges of each Track Section. Press Velcro Connectors onto velcro strips on the Track Sections. Make sure there are no gaps between ends. One Connector will connect two Track ends.



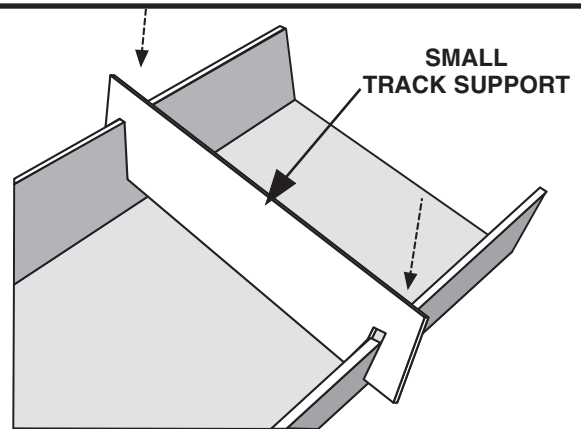
Step 5

Fold sides of Track up. Starting with the Tall Track Support 1S, insert the notches on the end of the Support into the notches on the sides of the Track Sections. The tallest side of each Track Support should be on the side closest to the Tower. Continue with 2S then 3S For proper placement of Supports (Diagram A, page 4).



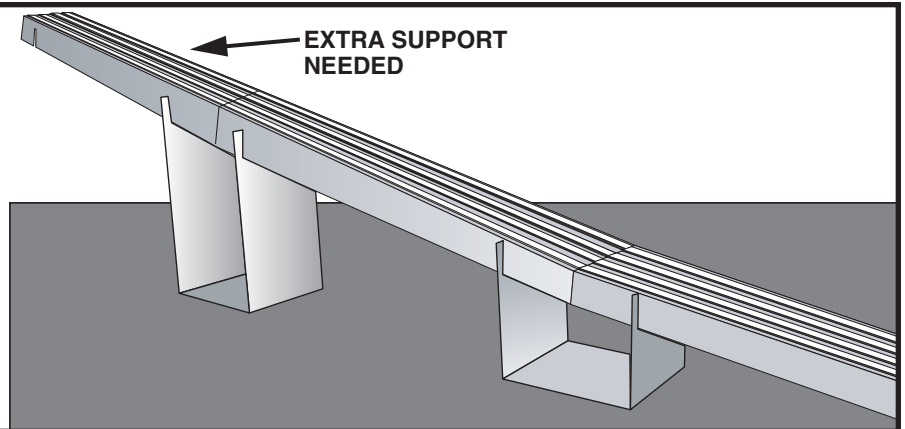
Step 6

Insert the Small Track Supports into the remaining notches of the Track.



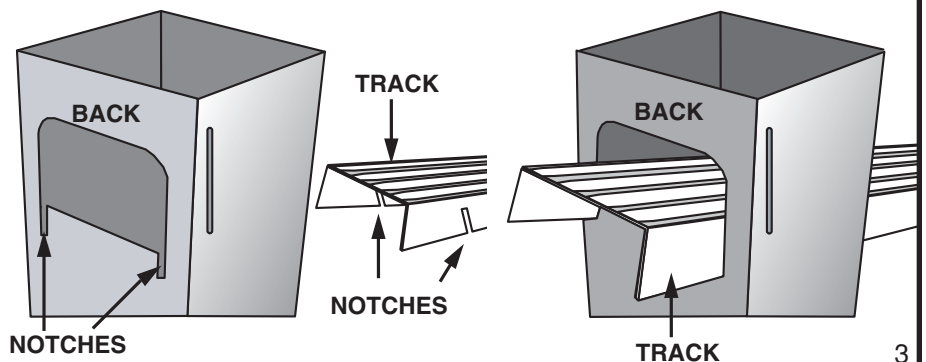
Step 7

After all supports are in place, use two people to carefully roll Track over so that it rests on the supports. You will need to give extra support to first Track Section until Tower is in place.



Step 8

Carefully slide Tower onto Track so that the Track's first Section comes out the hole located on Tower's back face. Adjust the first set of notches on the end of Track so that they fit tight into notches extending from the back face hole.



Step 9

Locate the Starting Gate. Insert the Gate's tabs into the slots on sides of the Tower. Once inserted, the Gate should come to rest on Track lanes and move vertically allowing cars to be released. Make any adjustments to the setup to allow Track to run smoothly. You are ready for racing!

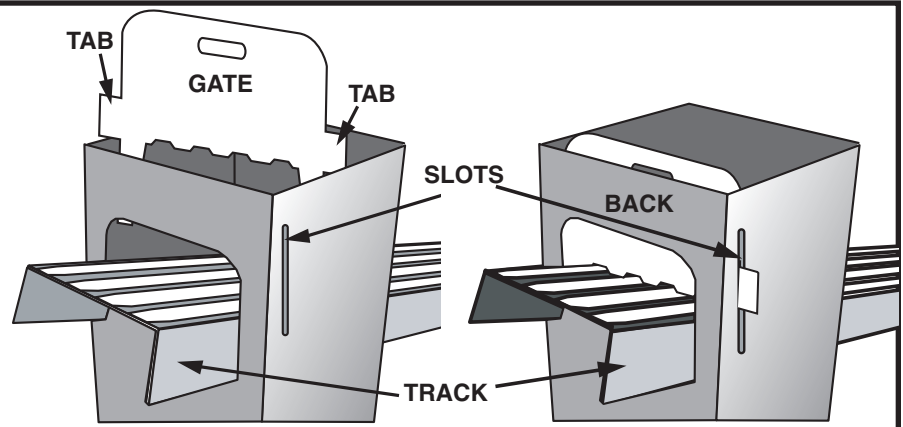
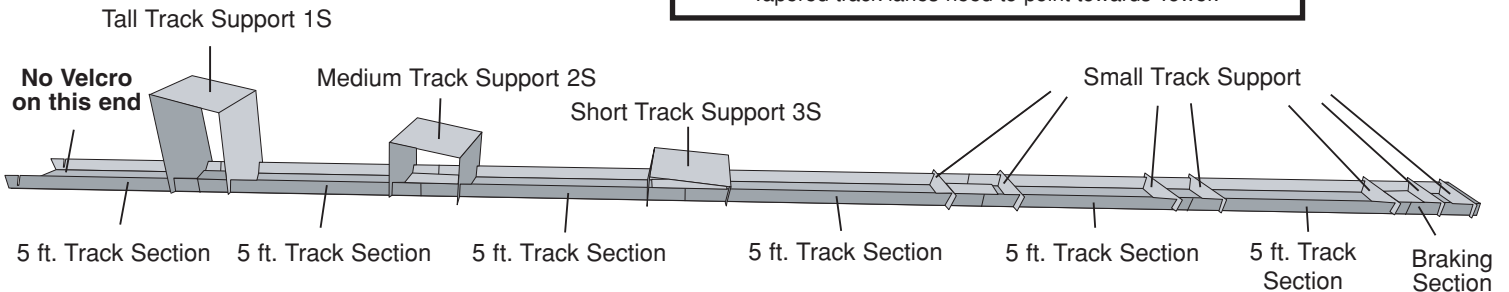
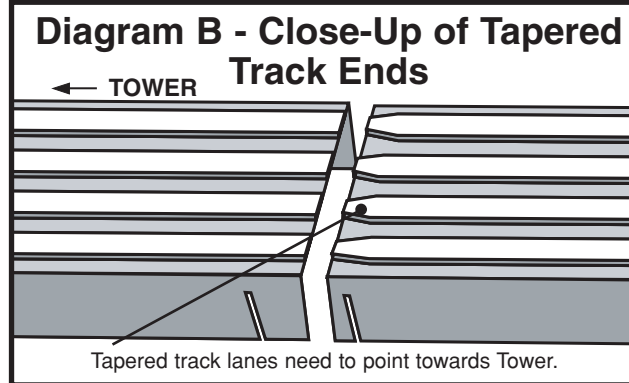
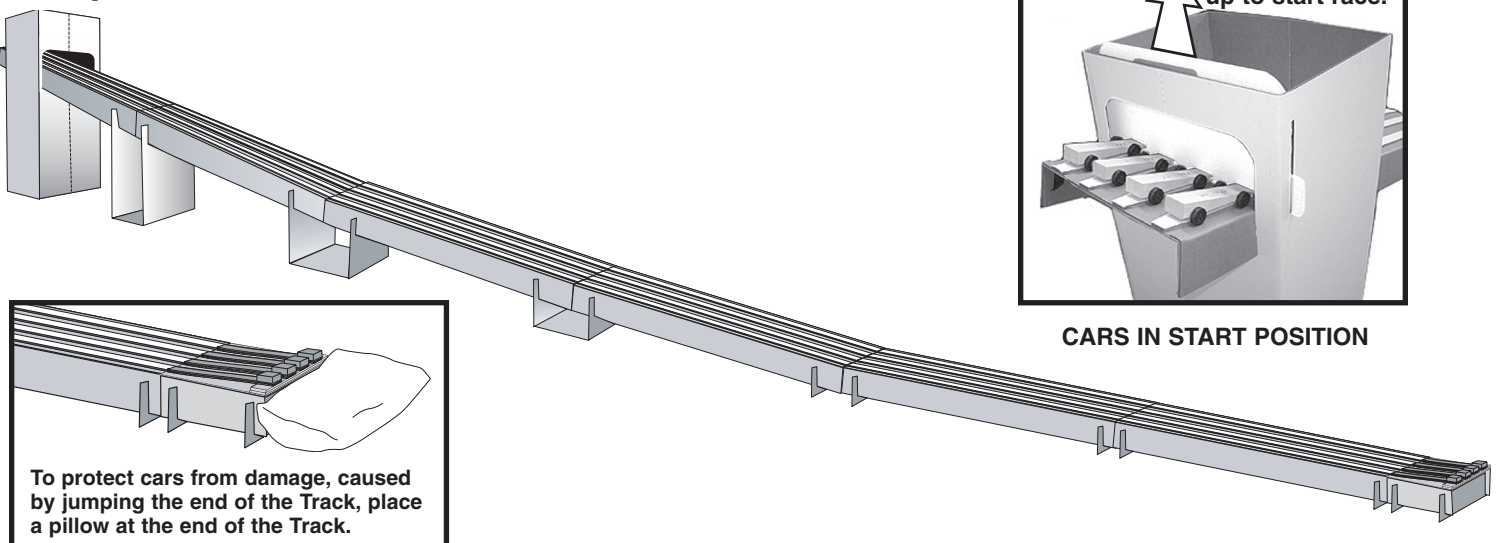


Diagram A - Track Upside Down



Completed Track



For information about our PineCar® Race Package or our complete line of promotional racing products, contact Sales at PINECAR® • PO BOX 98, LINN CREEK, MO 65052 • (573) 346-5555 • pinecar.com