

# LANDMARK STRUCTURES®

**N** SCALE  
1:160  
BUILDING KIT

## COUNTRY COTTAGE

### PF5206

Model Grandma and Grandpa's cozy cottage, a young family's first home or give this vintage Victorian cottage the run-down look of an abandoned shack. This charming and versatile structure is loaded with detail and provides unlimited choices for layout placement.



**WOODLAND SCENICS®**

#### MODELING AND CARE INFORMATION

This kit suggests the use of materials that may stain or cause damage. Take care to cover project area and clothing appropriately. Follow recommendations for use and cleanup.

**CAUTION:** Cutting tools recommended. Use with care.

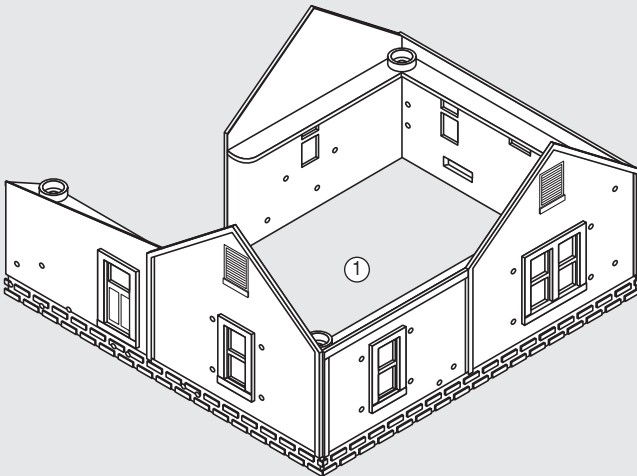
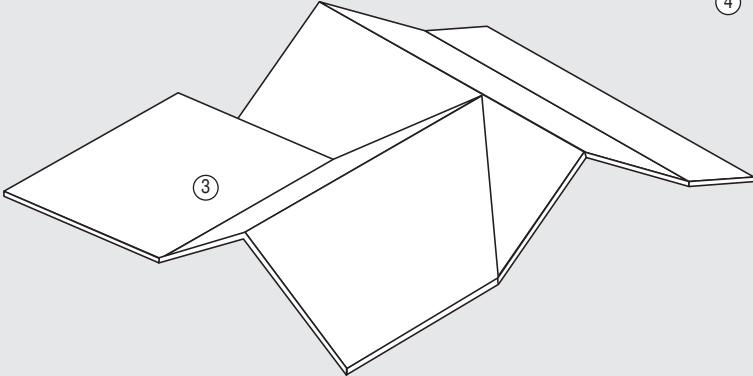
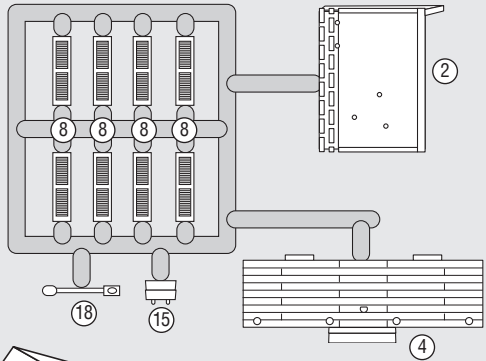
We make every effort to ensure our kits are manufactured complete. However, if this kit is missing a part, please make note of the kit name, number and missing part. Contact the Sales and Customer Service Department at PO Box 98, Linn Creek, MO 65052, 573-346-5555 or [sales@woodlandscenics.com](mailto:sales@woodlandscenics.com).

XPF5206INST AA9 ©2016 O CO

## COUNTRY COTTAGE

### Building Kit Contents

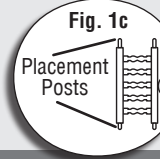
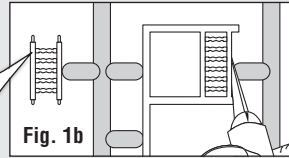
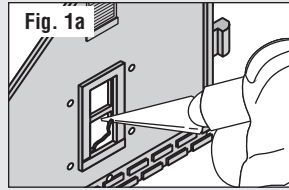
- Building Shell
- Roof
- Sprues with Details
- Phillips Screws (4 pc)
- Printed Window Material
- Clear Window Material
- Blackout Paper





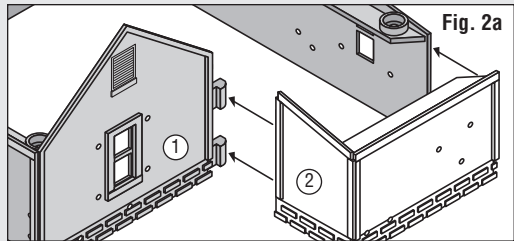
## 1. Building and Detail Preparation

- Remove mold flash from Building Shell ①, Roof ③ and Details using a hobby knife and/or sandpaper (Fig. 1a). Do not remove Details from sprues at this time.
- Wash Building Components and Details in warm, soapy water using a mild detergent. Rinse and let dry.
- Details can be left on sprues or removed for priming and painting. If removing Details, use a hobby knife (or flush cutting shears) and sand off parting lines (Fig. 1b). Smaller Details are easier to paint on sprue.
- Do not remove placement posts (Fig. 1c).



## 2. Install Side Wall

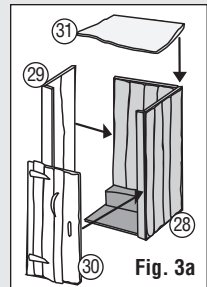
- Align tabs on Building ① with slots on Right-side Wall ② and snap into place (Fig. 2a).
- Apply glue on tabs and along inside seam.



## 3. Assemble Outhouse

Assemble and glue Outhouse using cyanoacrylate adhesive.

- Glue Outhouse Part ⑳ to ㉘. Then, attach Outhouse Door ㉚ and Roof ㉛ (Fig. 3a).

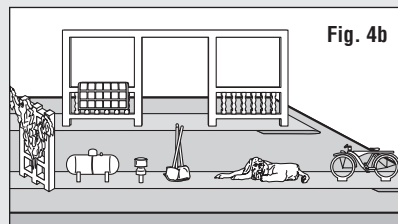
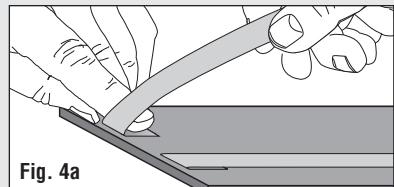


## 4. Prime and Paint

Do not prime or paint placement posts.

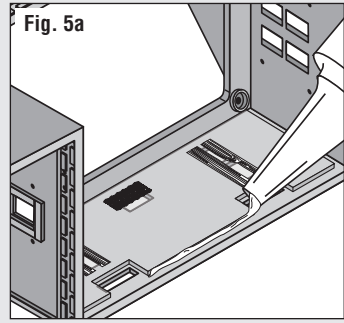
- Apply a thin coat of primer to Building Components and Details. Let dry.
- Paint as desired and let dry. See Tips & Techniques on pg. 6 for painting techniques and weathering tips.
- If Details were left on sprue while painting, remove using a hobby knife (or flush cutting shears). Sand parting lines and touch up with paint.

**TIP!** To make priming and painting loose Details easier, tape unexposed side down to loops of masking tape on a piece of cardboard (Fig. 4a and 4b).



## 5. Install Window Material

- Position printed side of Printed Window Material toward inside of Building. Remove protective film before installation. If clear window treatments are preferred, use Clear Window Material.
- Place Building on its front face with the bottom toward you.
- Center Window Material over windows on inside of Building and dab a small amount of glue carefully around edges (Fig. 5a).
- Repeat for each set of window openings.



## 6. Install Porch and Railings

- Glue Side Railings 2x (5) to Front Railing (6) (Fig. 6a).
- Glue Railing Assembly (5,6) to Front Porch (4) (Fig. 6b).
- Align tabs and placement posts on Front Porch Assembly (4,5,2x,6) with placement holes on Front Wall (Fig. 6c) and glue in place.

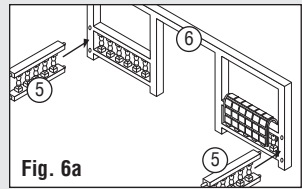


Fig. 6a

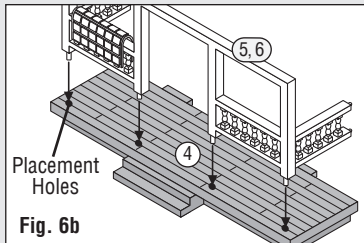


Fig. 6b

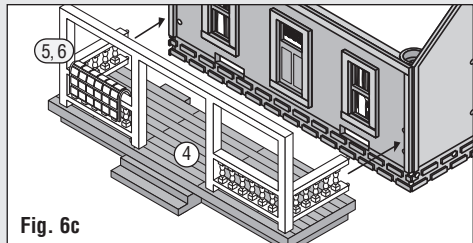


Fig. 6c

## 7. Install Roof

- Place Roof (3) on Building. Align top of Front Railing (6) with notch in underside of Roof (Fig. 7a). Apply a tiny amount of glue along top of Railing before installation to secure in place.
- Install Screws 4x from underneath Building (Fig. 7b).

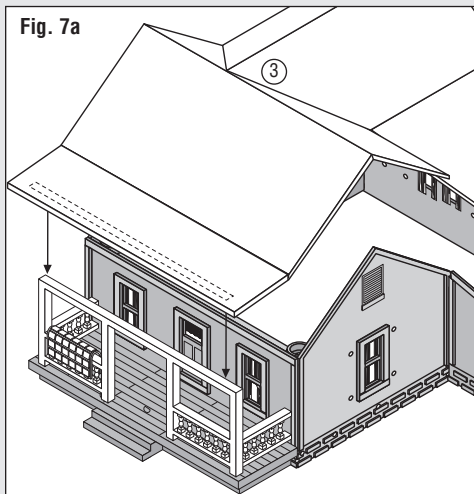


Fig. 7a

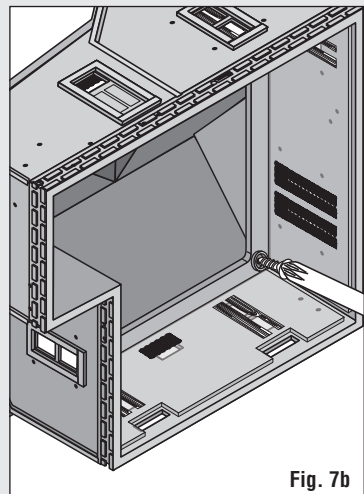


Fig. 7b

## 8. Install Details

Use cyanoacrylate adhesive to install Details. Apply a tiny amount of glue onto placement post, then align in placement hole. Use tweezers to make installation easier.

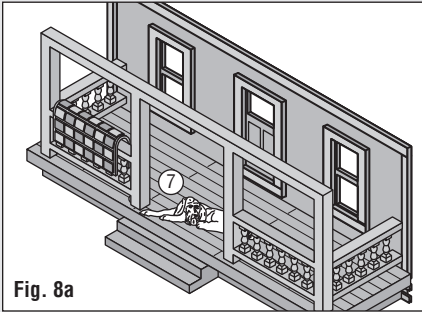


Fig. 8a

Front (Fig. 8a)

Dog (7)

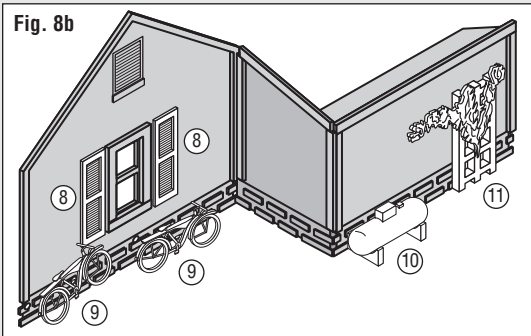


Fig. 8b

Right Side (Fig. 8b)

Shutters 2x (8), Bicycles 2x (9),  
Propane Tank (10), Trellis with  
Flowers (11)

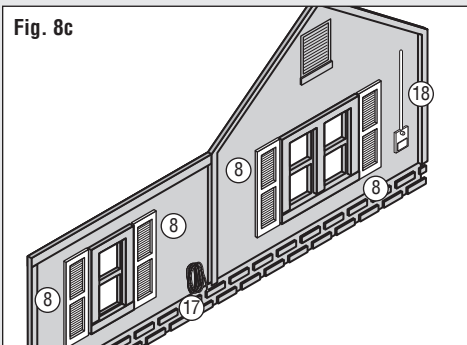


Fig. 8c

Left Side (Fig. 8c)

Shutters 4x (8), Garden Hose (17),  
Meter Box (18)

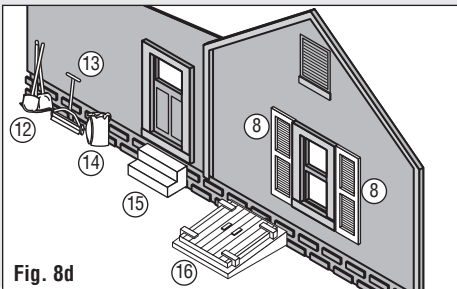


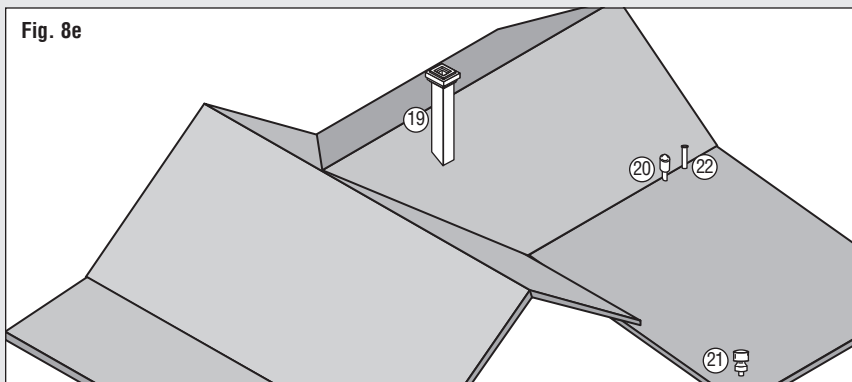
Fig. 8d

Back (Fig. 8d)

Shovels (12), Push Mower (13),  
Trashcan with Lid (14), Back Steps (15),  
Cellar Doors (16), Shutters 2x (8)

## 8. Install Details cont.

Fig. 8e



### Roof (Fig. 8e)

Chimney (19), Large Vent (20), Small Vent (21), Pipe Vent (22)

### Miscellaneous Parts

Attach where desired on layout. Water Pump (23), Mailbox (24), Old Tire (25), Trashcan (26), Smashed Trashcan (27), Outhouse (28, 29, 30, 31)

## 9. Install Blackout Paper

- Cut two sheets of Blackout Paper, each measuring 2 3/4" W x 7/16" H (6.98 cm x 1.11 cm).
- Lay the two sheets on top of each other and cut a notch halfway up both sheets (Fig. 9a).
- Assemble as shown (Fig. 9b).
- Insert into building (Fig. 9c).
- Place a drop of glue at each corner to hold in place.

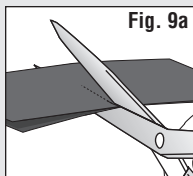


Fig. 9b

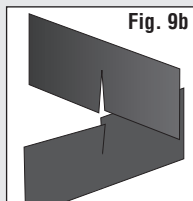
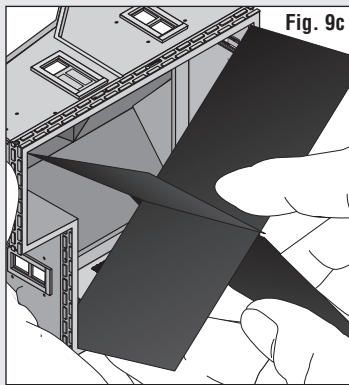


Fig. 9c



## Tips and Techniques

### Lighting

To reduce glare when lighting (lights not included), paint interior walls and underside of roof with Light Block Kit (JP5716). See the complete Just Plug® Lighting System at woodlandscenics.com.

### Painting Tips

Colors are your choice, but we recommend natural, earth-tone colors.

**Airbrush or Hand-brush:** Use enamel (solvent-based) or acrylic (water-soluble) flat finish paint.

**Aerosol:** Use flat finish spray paint.

### Brick Mortar

- To add a realistic mortar-look, apply a **Brick Mortar Wash** to brickwork (formula below). Lay building flat so the wash will spread evenly. Dab on small amounts of Mortar Wash until desired look is achieved. Sponge off excess.

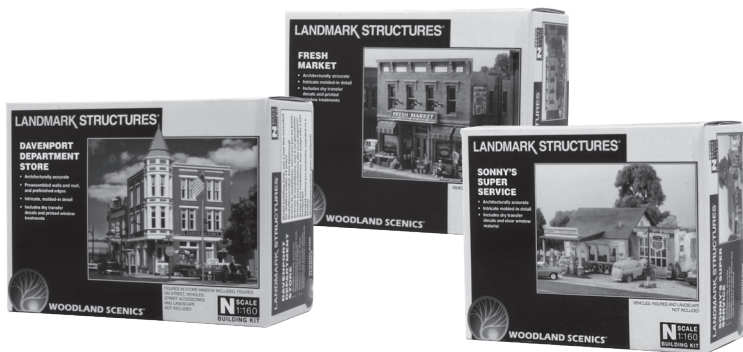
**Brick Mortar Wash:** 1-part paint (color suggestion: earth-tone shade, etc.), 9-parts rubbing alcohol, 7-parts water, 2-drops liquid dish soap

### Weathering

- **Airbrush:** Lightly spray thinned flat black paint (color suggestion: grimy black) onto areas where natural discoloration occurs (near windows, chimneys, etc.).
- **Chalk:** Rub a dark color of pastel chalk (color suggestion: gray, black, brown, etc.) on sandpaper to create chalk dust. Using a paintbrush, dab chalk dust where discoloration occurs.

# Look for these other N scale Landmark Structures Building Kits at your local hobby shop.

PF5200 Fresh Market  
PF5203 Sonny's Super Service  
PF5204 Sicken Tire Company  
PF5207 Woodland Station  
PF5214 Davenport Department Store



## Just Plug® LIGHTING SYSTEM

The Just Plug Lighting System is a complete, quick and easy way to add realism to new and existing layouts and other projects. No electrical knowledge or special tools are needed. Just Plug and you're done! Individual bulb brightness can be controlled, and special window film eliminates the need for building interiors. The modular design allows for easy expansion, and Just Plug works for all scales.



It's as easy as placing  
a light and setting  
your building on top.